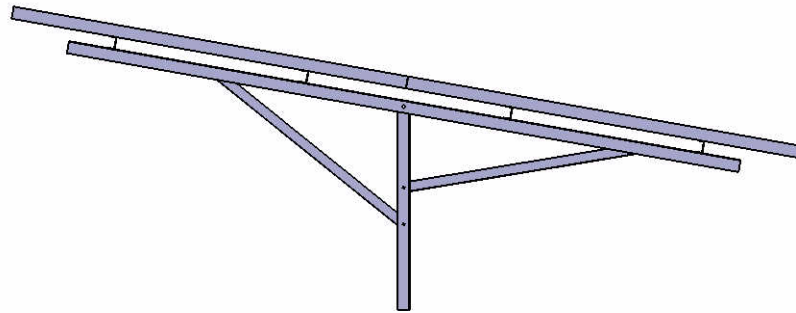


Ground Mounted Structure – Fixed

(Model: STR-HDG-5000)

Suitable for large MW solar installations – crystalline panels



Structures made from roll formed steel profiles, that are hot dipped galvanized to 80 microns thickness
25 years warranty on structures
Able to sustain wind loads of 150kmph
Foundations can be reinforced concrete, ground screws, or rammed posts